

# Lunar iDXA

W I T H F O R M A P A C K A G E

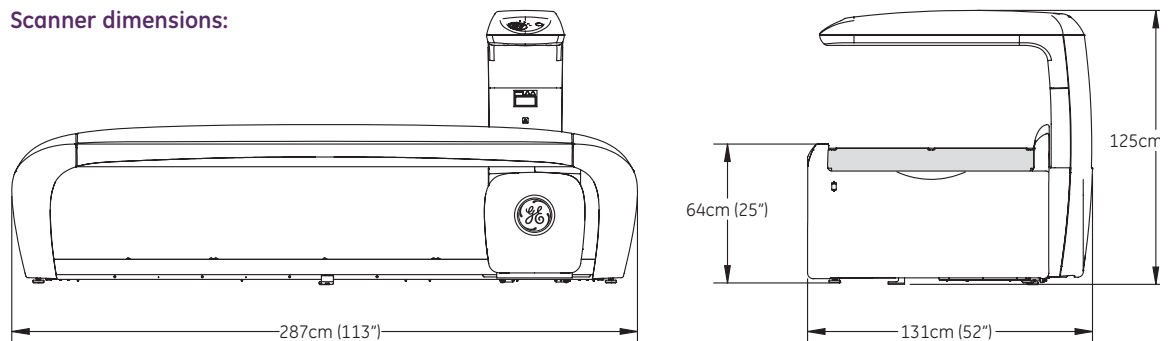
## Tailored for advanced metabolic health assessment

In your search for answers to a patient's health concerns, information is everything. The Lunar iDXA\* with Forma package offers our most advanced system to provide the body composition analysis tools to help meet your metabolic health needs.

The Lunar iDXA Forma delivers **precise** body composition measurements with a **comprehensive** suite of tools to aid in clinical decision making across all body types. Additionally it also includes **patient-friendly reports** to help monitor progress.



Scanner dimensions:



# Lunar iDXA with Forma Package specifications (nominal)



## Software applications and features:

○ OPTIONAL

### Clinical applications:

- Total body BMD
- Total body and regional tissue quantitation
- Advanced body composition (data visualization, trending & reporting tools)
- AP spine
- Femur
- DualFemur
- Forearm/supine forearm
- Dual-energy Vertebral Assessment (DVA) (lateral and AP)
- Fracture risk assessment tool: FRAX\*\*1,2
- Advanced Hip Assessment (AHA)
- Orthopedic hip
- Pediatric spine/femur/total body
- Hand/supine hand
- Small animal total body<sup>3</sup>
- Spine geometry
- CoreScan\* (Visceral fat quantification)

### Workflow:

- Previous scan image comparison
- OneVision
- Automatic metal detection
- Image preview
- SmartScan
- OneScan measurement
- QuickView measurement (10sec)

### Analysis & reporting:

- Custom region of interest analysis
- Composer reporting tools
- Custom reference creation
- ScanCheck
- Practice management tools

### Connectivity:

- HIPAA secure view
- SQL server
- DICOM\*\* interface<sup>4</sup>
- HL7 interface<sup>4</sup>
- TeleDensitometry (e-mail, fax)<sup>4,5</sup>
- Multi-User DataBase access (MUDB) (1-3 users)<sup>4</sup>
- Multi-User DataBase access (MUDB) (1-10 users)

## Scanner table specifications:

Scanner size	2.87m x 1.31m x 1.25m (113" x 52" x 49")
Scanner weight	360kg (792lbs)
Patient table top height (adjustable)	64cm (25")
Maximum patient weight supported	204kg (450 lbs)
Drive system	stepper motor with reinforced drive belts
Active scan area	198cm x 66cm
Start position indicator	cross laser light (class II, <1mW power)
Pad	washable patient mat, includes paper roll dispenser
Attenuation of patient support table	<1.2mm AL
Communication cable	Ethernet
Scanner leakage current	meets IEC 60601-1 safety standard

## Detector specifications:

Detector ..... high-definition, direct-digital detector

## Computer specifications:

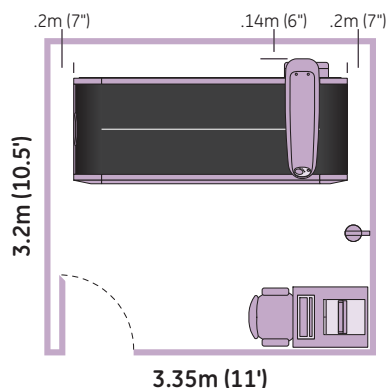
Non-US customers will need to verify that the computer is certified to local requirements. The computer must meet the minimum requirements that follow:

- 2.8 GHz Intel\*\* Pentium\*\* 4 or 2.79 GHz AMD Athlon\*\* II processor
- Windows\*\* 7 Professional (32-bit)
- 2 GB RAM
- 160 GB hard disk
- DVD-R drive
- 17" SVGA monitor with at least 1024 x 768 32-bit color
- External hard drive (data archive location)
- 10/100 Mbit Ethernet port
- Internet Explorer\*\* version 8.0
- Windows-compatible printer
- Adobe\*\* Acrobat\*\* reader

## Environmental specifications

Power	100-127 VAC 50/60Hz 20A dedicated circuit 200-240 VAC 50/60Hz 10A dedicated circuit
Consumption	..... Idling 40VA, Scanning 750VA
Distortion	..... sinusoidal waveform, less than 5% THD
Humidity	..... 20%-80% non-condensing
Room temperature	..... 18°C-27°C (65°F-81°F)
Scanner heat output	..... idling 150 BTU/hr, scanning 1800BTU/hr
Console heat output	..... approx. 400BTU/hr with 17" monitor
Ventilation	..... all cooling vents must remain unblocked
Dust, fumes, debris	..... install system in clean, ventilated area

## Minimum room dimensions<sup>6</sup>



The Lunar iDXA is designed to have minimal impact on your practice in both the installation requirements and required operating space. The Lunar iDXA is shown in a 3.35 m x 3.2 m exam room with the included workstation. No operator shielding or special site preparation beyond a dedicated 100-127/200-240 VAC duplex outlet is usually required.<sup>7</sup> The outlet should be placed near the desired location of the operator's console.

© 2012 General Electric Company - All rights reserved.  
GE and GE Monogram are trademarks of General Electric Company.

\* Trademark of the General Electric Company

\*\*FRAX is a registered trademark of the World Health Organization Collaborating Centre for Metabolic Bone Diseases, University of Sheffield, UK. DICOM is a trademark of National Electrical Manufacturers Association. Windows and Internet Explorer are registered trademarks of Microsoft Corporation. Intel and Pentium are trademarks of Intel Corporation. Athlon is a trademark of Advanced Micro Devices, Inc. Adobe and Acrobat are trademarks of Adobe Systems Incorporated. All other trademarks, service marks, company names and product names are the property of their respective owners.

General Electric Company reserves the right to make changes in specifications and features shown herein, or discontinue the product described at any time without notice or obligation. Contact your GE representative for the most current information.

GE Healthcare, a division of General Electric Company

Indications for use: The Lunar iDXA Bone Densitometer provides an estimate of bone mineral density and fat and lean tissue mass. The values can then be compared to a reference population at the sole discretion of the physician.

CAUTION: Federal Law restricts this device to sale by or on the order of a physician.

### Lunar Product Division: Americas

GE Healthcare Lunar  
Global Headquarters  
PO Box 7550  
Madison, WI 53707-7550  
T: +1-800-535-7339  
F: +1-608-223-2482

### Europe, Middle-East & Africa

GE Healthcare Lunar  
Pollards Wood  
Nightingales Lane  
Chalfont St Giles  
Buckinghamshire, UK  
HP8 4SP  
info.lunar@ge.com

### Asia & Pacific

GE Healthcare Lunar  
3/F GE China Technology Park  
No. 1 Hua Tuo Road  
Shanghai 201203, China  
T: +86-21-38777888  
(Ext. 60128 or 60480)  
F: +86-21-38777451

## About GE Healthcare

GE Healthcare provides transformational medical technologies and services that are shaping a new age of patient care. Our broad expertise in medical imaging and information technologies, medical diagnostics, patient monitoring systems, drug discovery, biopharmaceutical manufacturing technologies, performance improvement and performance solutions services help our customers to deliver better care to more people around the world at a lower cost. In addition, we partner with healthcare leaders, striving to leverage the global policy change necessary to implement a successful shift to sustainable healthcare systems.

Our "healthymagination" vision for the future invites the world to join us on our journey as we continuously develop innovations focused on reducing costs, increasing access and improving quality around the world. Headquartered in the United Kingdom, GE Healthcare is a unit of General Electric Company (NYSE: GE). Worldwide, GE Healthcare employees are committed to serving healthcare professionals and their patients in more than 100 countries. For more information about GE Healthcare, visit our website at [www.gehealthcare.com](http://www.gehealthcare.com).

1. DVO available in Germany
2. Unavailable in Germany and Japan
3. Laboratory animals only
4. Standard in US, may be optional in other regions
5. Additional hardware may be required for fax capabilities.
6. A small room kit with isolation transformer may be required. Consult and follow local X-ray regulations.
7. Consult and follow local X-ray regulations.



imagination at work