

GE Healthcare

HC-DySC Dynamic Sag Corrector

A Healthcare Power Quality Solution



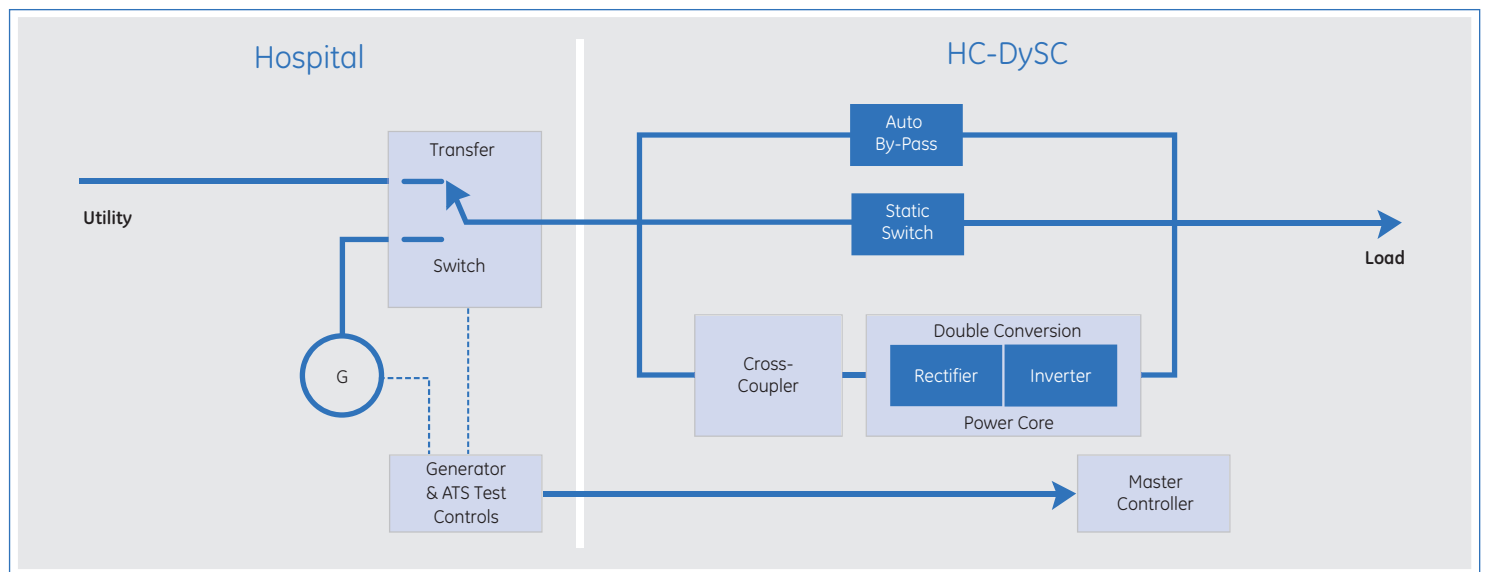
Help protect your imaging devices. Safeguard your budget.

Here's a power quality solution to help protect your sensitive diagnostic equipment against common, day-to-day power disturbances. The HC-DySC (Dynamic Sag Corrector) designed specifically for healthcare environments corrects for voltage sags that can cause image degradation, data loss, trips, or even equipment damage. It also lets equipment ride through brief outages that occur with monthly backup generator testing transfers. Power quality protection can help reduce exam interruptions, downtime, and maintenance cost.

The HC-DySC communicates simply with your generator test controls to anticipate the transition from utility to generator power and back again, and to transfer the critical loads without a bump. It protects 480-volt equipment at up to 400 amps (333 kVA) total load. The HC-DySC is more than 99% energy efficient and nearly maintenance-free. It uses no batteries and operates automatically.

System benefits

- Eco-Friendly: no batteries to maintain, dispose of or replace
- Rides through generator test transfers: bumpless transfer for protected equipment
- No air conditioning required: works in your ambient environment
- Small footprint: one-third the size of a typical battery UPS; half the footprint with zero clearance on three sides
- Light weight: one-sixth the weight of a typical battery UPS
- 99% energy efficient: one-tenth the energy consumption of a typical battery UPS
- Protects to zero volts

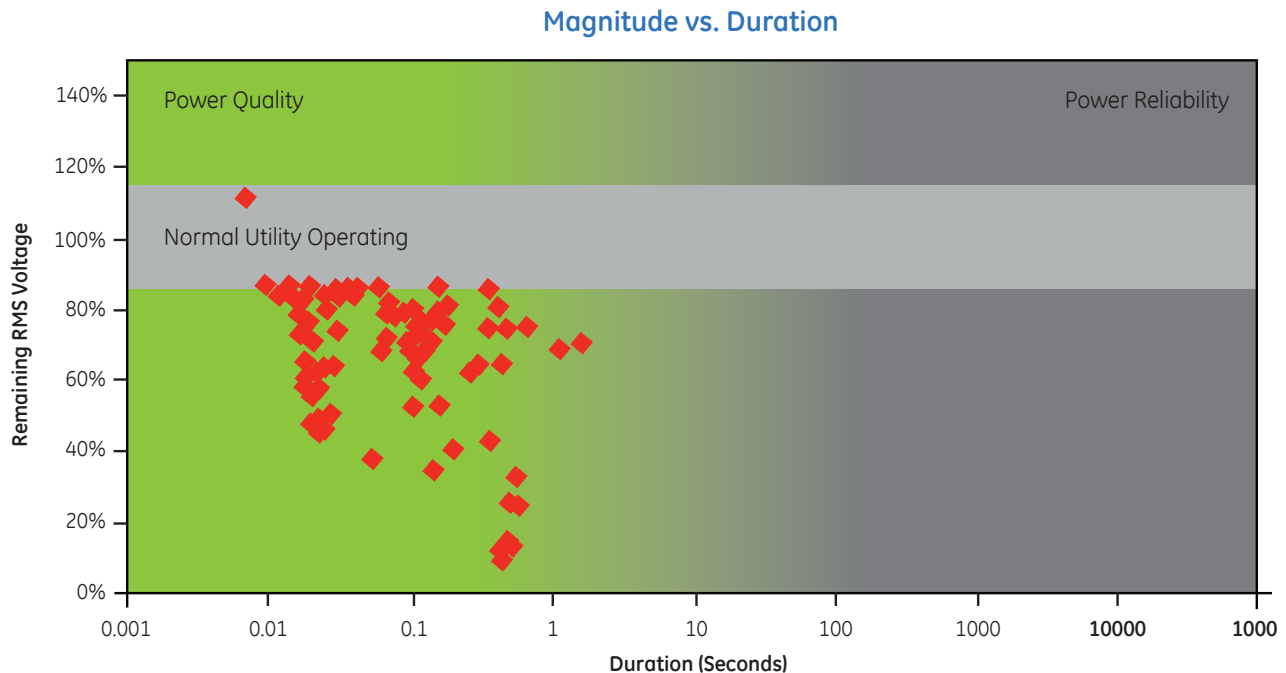


200 Amp HC-DySC Seamless Transfer Option Illustration

Choose a solution that fits

Will the HC-DySC system protect you effectively? It will if you experience mainly power quality events like voltage sags lasting a few seconds or less, and only rarely see power reliability events, like utility power surges, or outages and brownouts lasting a minute or more.

The chart below shows a case where a solution like the HC-DySC would suffice. Each plotted point represents the worst case power event in both magnitude and duration, as recorded by I-Sense® monitoring. The vast majority of events at this site are power quality events lasting less than one second, and the HC-DySC can readily correct for them.



Voltage Deviation Chart
Power events plotted according to severity

Drive down your power costs

The HC-DySC solution from GE Healthcare can reduce operating costs for power protection. The chart below illustrates energy savings from a simple power quality solution.

Energy usage comparison

Power Quality DySC vs. Power Reliability UPS

400 Amp Example	PQ Solution	PR Solution
Load	333kW	333kW
Efficiency	99%	93%
Energy Consumed (Loss & Load)	335.36kW	358.06kW
Energy Consumed (Losses)	2.36kW	25.06kW
Losses per year	20,673kW-h	219,525kW-h
Cost per kW-h	\$0.07	\$0.07
Cost Per Year (due to energy loss)	\$1,447	\$15,367*
Additional Energy Cost in 5 years	\$7,235	\$76,834

*Power reliability solution requires a climate-controlled environment. Using a 40kW air conditioner running at 60% load (24kW) you will incur an additional 210,240 kWh/yr, or \$14,716 in additional energy (\$73,580 additional in 5 years).

Start protecting your equipment now

To learn more about how the HC-DySC system can smooth out your power quality issues contact your GE Healthcare representative or visit us online at gehealthcare.com/accessories

About GE Healthcare

GE Healthcare provides transformational medical technologies and services to meet the demand for increased access, enhanced quality and more affordable healthcare around the world. GE (NYSE: GE) works on things that matter - great people and technologies taking on tough challenges. From medical imaging, software & IT, patient monitoring and diagnostics to drug discovery, biopharmaceutical manufacturing technologies and performance improvement solutions, GE Healthcare helps medical professionals deliver great healthcare to their patients.

GE Healthcare
3000 North Grandview,
Waukesha, WI 53188,
U.S.A.

General Electric Company reserves the right to make changes in specifications and features shown herein, or discontinue the product described at any time without notice or obligation. Contact your GE Representative for the most current information.

©2015 General Electric Company - All rights reserved.

HC-DySC and I-Sense are trademarks of Rockwell Automation.

GE, GE monogram and imagination at work are trademarks of General Electric Company.

*Trademark of General Electric Company or GE Medical Systems Information Technologies, Inc.

GE Healthcare, a division of General Electric Company.

www.gehealthcare.com



imagination at work